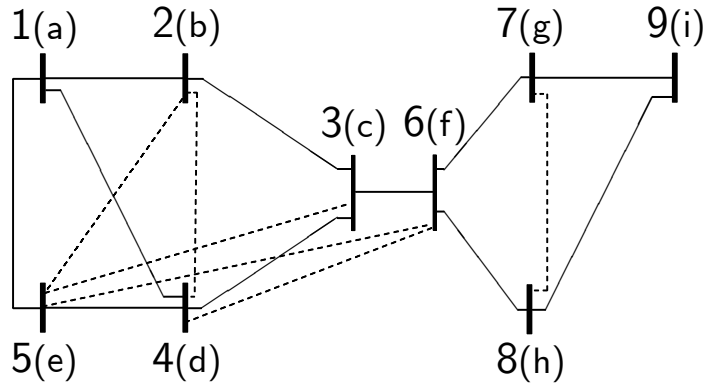


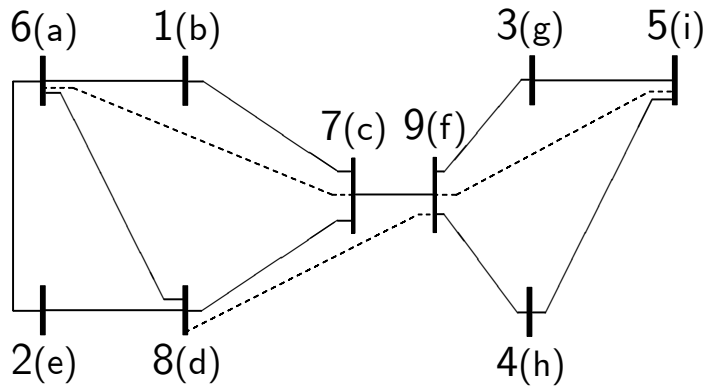
Efeitos de Esquemas de Ordenação

1. Ordenação Natural



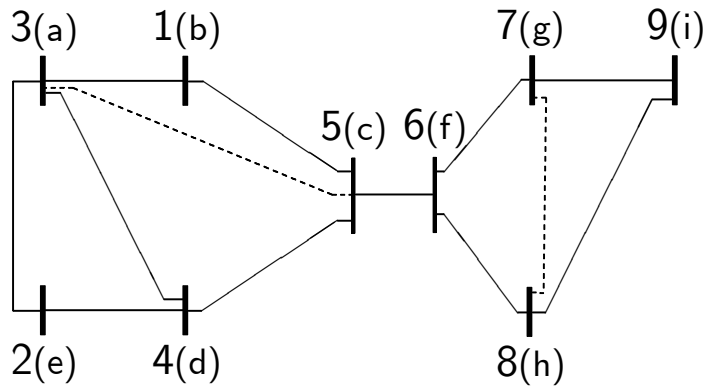
a	×		×	×				
×	b	×	⊗	⊗				
	×	c	×	⊗	×			
×	⊗	×	d	×	⊗			
×	⊗	⊗	×	e	⊗			
		×	⊗	⊗	f	×	×	
					×	g	⊗	×
					×	⊗	h	×
						×	×	i

2. Ordenação Tinney-I



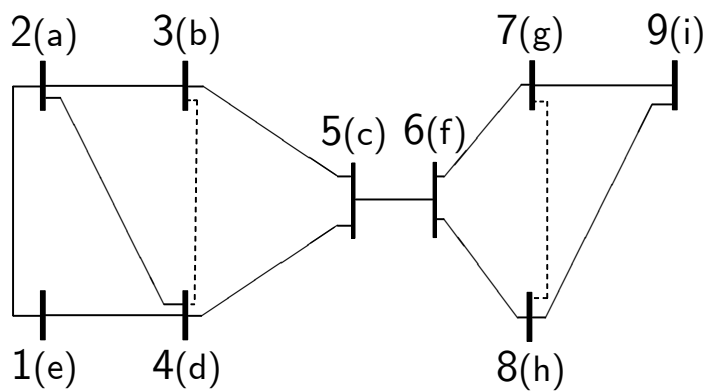
b					×	×		
	e				×		×	
		g		×				×
			h	×				×
		×	×	i				⊗
×	×				a	⊗	×	
×					⊗	c	×	×
	×				×	×	d	⊗
		×	×	⊗		×	⊗	f

3. Ordenação Tinney-II



b		×		×				
	e	×	×					
×	×	a	×	⊗				
	×	×	d	×				
×		⊗	×	c	×			
				×	f	×	×	
					×	g	⊗	×
					×	⊗	h	×
						×	×	i

4. Ordenação Tinney-III



e	×		×						
×	a	×	×						
	×	b	⊗	×					
×	×	⊗	d	×					
		×	×	c	×				
				×	f	×	×		
					×	g	⊗	×	
					×	⊗	h	×	
						×	×	i	

Comparação dos Efeitos das Ordenações

Ordenação Natural

a	x		x	x						
x	b	x	⊗	⊗						
		x	c	x	⊗	x				
x	⊗	x	d	x	⊗					
x	⊗	⊗	x	e	⊗					
			x	⊗	⊗	f	x	x		
							x	g	⊗	x
							x	⊗	h	x
								x	x	i

Tinney I

b						x	x			
	e					x		x		
		g			x					x
			h		x					x
			x	x	i					⊗
x	x					a	⊗	x		
x						⊗	c	x	x	
						x	x	d	⊗	
						x	x	⊗	f	

Tinney II

b		x		x						
	e	x	x							
x	x	a	x	⊗						
	x	x	d	x						
x		⊗	x	c	x					
					x	f	x	x		
							x	g	⊗	x
							x	⊗	h	x
								x	x	i

Tinney III

e	x			x						
x	a	x	x							
		x	b	⊗	x					
x	x	⊗	d	x						
		x	x	c	x					
					x	f	x	x		
							x	g	⊗	x
							x	⊗	h	x
								x	x	i